



## HOSE BARBS

316 SS

### FEATURES & APPLICATIONS:

• **General Uses:**

Working pressures may vary with type and clamping system used to install couplings.

Combination Nipples are recommended for low pressure discharge and suction service for compatible liquids. NOT for compressible products such as Air, Nitrogen and Steam.

\*All blank end & grooved combination nipples are made using Schedule 40 pipe.

Seal Fast Crimp Combination Nipples are to be used with Seal Fast Ferrules and Crimp Sleeves. They are designed with an Interlock System which allows the Ferrule to be permanently attached to the coupling.

**WORKING PRESSURE 200 PSI**



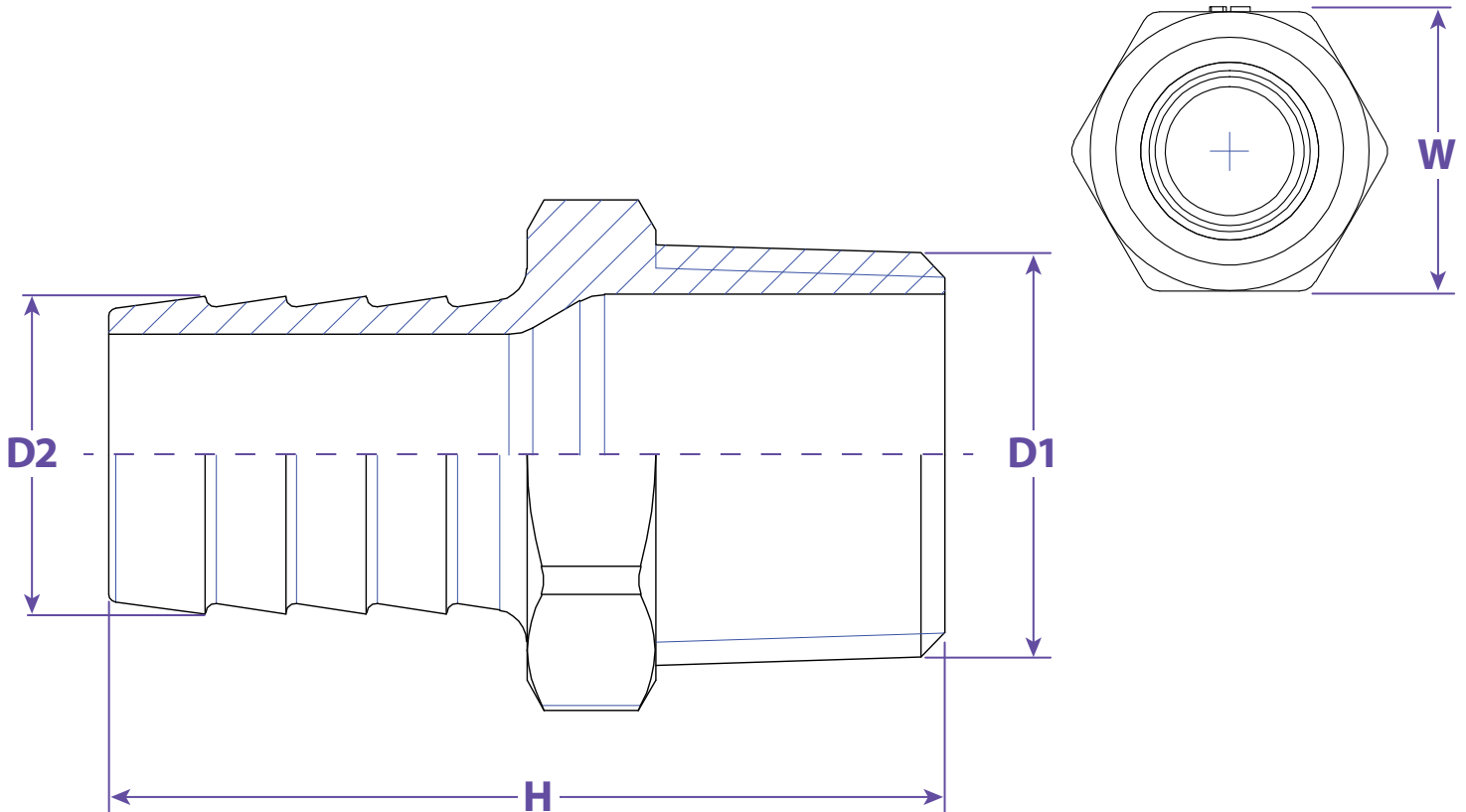
316 SS

### STAINLESS 316

SIZE	316 SS
1/2"	HB 050SSI
3/4"	HB 075SSI
1"	HB 100SSI
1-1/4"	HB 125SSI
1-1/2"	HB 150SSI
2"	HB 200SSI
2-1/2"	HB 250SSI
3"	HB 300SSI
4"	HB 400SSI
6"	HB 600SSI



Information contained on this page is for general information purposes only. Seal Fast Inc. assumes no responsibility for errors or omissions for this product.



**Dimensions**

D1	D2	H	W	Part#
1/2" NPT	0.6	2.1732	0.8661 (hex)	HB 050SSI
3/4" NPT	0.8	2.0472	1.1024 (hex)	HB 075SSI
1" NPT	1.0	2.6772	1.3780 (oct)	HB 100SSI
1-1/4" NPT	---	---	---	---
1-1/2" NPT	1.5	4.1142	1.9685 (oct)	HB 150SSI
2" NPT	2.0	4.1339	2.4803 (oct)	HB 200SSI
2-1/2" NPT	---	---	---	HB 250SSI
3" NPT	---	---	---	HB 300SSI
4" NPT	---	---	---	HB 400SSI
6" NPT	---	---	---	HB 600SSI

**TITLE COMBINATION NIPPLES - HOSE BARB**

**DISCLAIMER**

All drawings and specifications are subject to change without notice. Drawings represent general dimensions of our products. Seal Fast cannot guarantee the dimensions of the part will exactly match those in the drawing. This drawing is the property of Seal Fast Inc. Copying or reproduction of this drawing is expressly prohibited.

**MATERIAL**

SFxxxSSI Stainless 316

**DRAWING NOT TO SCALE**

**PART # SF...SSI**

